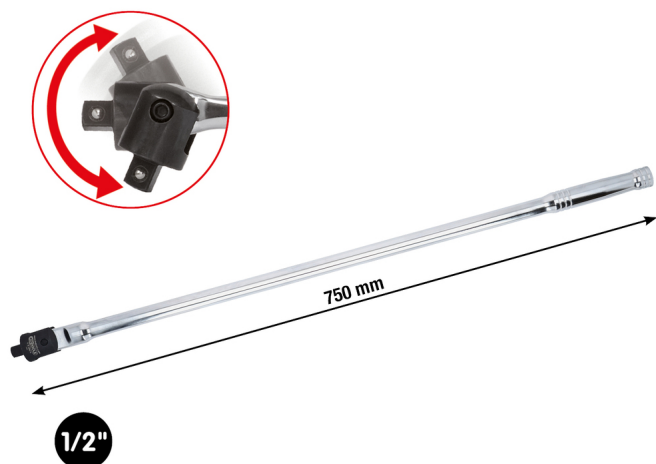


CHROMEplus® Flexible head drive handle

Article No.: 918.1293

EAN: 4042146086902

Promotional price: €54.50 *



Description


- square drive adaptor to DIN 3120 / ISO 1174 with ball lock
- ideal for difficult to access areas
- protects ratchet and torque wrenches from overloading
- burnished head
- mirror polished
- chrome vanadium

Properties

Drive in inch:	1/2"
Function attribute 1:	protects torque wrenches
Image caption:	B
Material1:	finest chrome vanadium steel mirror polished finish
Norm:	DIN 3120, ISO 1174
Packaging contents:	1
Packaging height, mm:	50
Packaging length, mm:	786
Packaging width, mm:	102
Replacement head:	918.1292-1
Total length L in mm:	750.0
Weight [g]:	1630



Spare parts

Article No.	Quantity	Article	RRP: (ex. VAT)
918.1292-1	1 x	 1/2" Spare drive head, for flex.-handle 600 mm	€20.33 *