

Clamping screws ejector without spindle, 3 pcs

Article No.: 670.0076
 EAN: 4042146391341
 RRP: €663.24 *

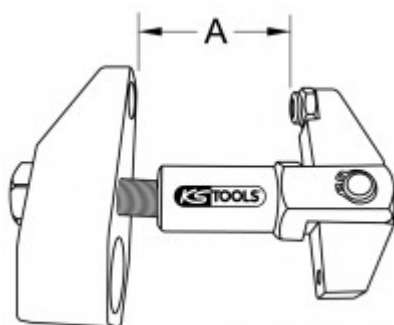


Description




- for loosening seized clamping screws (M10) on 4-link axles
- for right and left wishbone clamping screws
- for aluminium and steel four link axles
- release force up to max. 12 t
- universally applicable hydraulic spindle (mounting thread 1.1/2"x16 start)
- fine adjustment for optimum efficiency
- in durable plastic storage case

Properties

Application in general:	for loosening seized clamping screws (M10) on 4-link axles
Packaging contents:	1
Packaging height, mm:	68
Packaging length, mm:	252
Packaging width, mm:	200
Parts in the set:	3
Span width from [mm]:	65
Span width to [mm]:	125
Weight [g]:	2735
maximum clamping width A in mm:	65 - 125



Consists of

Article No.	Quantity	Article	RRP: (ex. VAT)
670.0074	1 x	 Clamp screw ejector, basic unit	€462.07 *
670.0077	1 x	 Flat thrust piece	€45.02 *
670.0078	1 x	 Mandrel thruster	€55.94 *