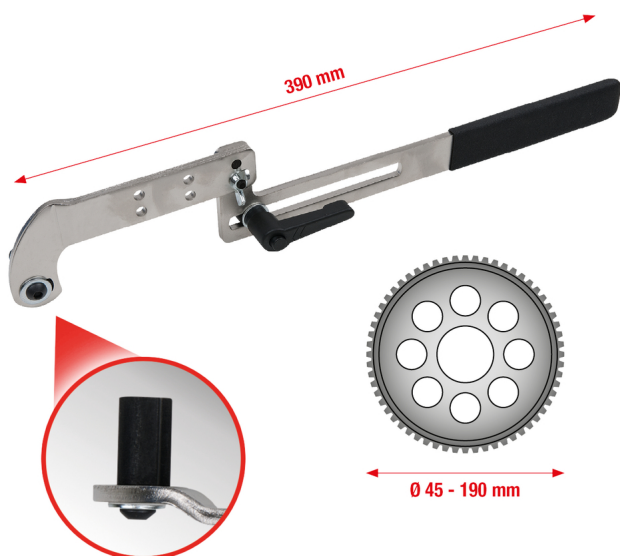


Universal locking tool / counter tool for crank shaft wheels

Article No.: 150.2990
 EAN: 4042146421642
 Promotional price: €70.00 *



Description

- ideally suited to almost all vehicle types
- for working areas with gear diameters 45 - 190 mm
- with quick adjustment for setting the working area
- universally used tool for locking, turning and securing locked pulley wheels
- allows the crank shaft drive wheels to turn or for releasing the securing screws on the pulley wheel
- ideal leverage thanks to 390 mm total length
- very narrow tool for maximum access
- quick and easy usage
- maximum holding force
- with plastic-coated handle
- special tool steel

Properties

Diameter in mm:	45-190
Material1:	special tool steel
Packaging contents:	1
Packaging height, mm:	70
Packaging length, mm:	479
Packaging width, mm:	112
Total length mm:	390
Weight [g]:	500

