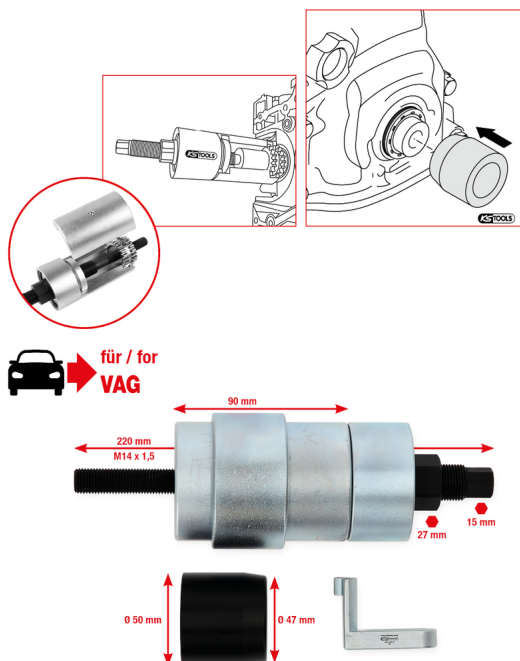


Sprocket mounting tool set for VAG

Article No.: 400.0910

EAN: 4042146959411

Promotional price: €234.00 *



Description

- for assembly and disassembly of the crankshaft gear
- also suitable for mounting the front crankshaft oil seal
- including crankshaft holding tool
- very high degree of accuracy

Application range / for: Audi A1 (8X), A3 (P), Seat Altea (5P), Leon (1P), Ibiza IV (6J, 6P), Toledo IV (KG), Škoda Fabia II (542, 545), Octavia II (1Z), Rapid (NH1, NH3), Roomster (5J), Yeti (5L),

Volkswagen Golf VI (5K, AJ,517), Golf Plus (5M,521), Polo V (6R, 6C), Jetta VI (162, 163, AV), Caddy III (2K, 2C), Beetle (5C), Touran (1T)

Engine codes: 2.0L TSI / TFSI (CBZA, CBZB, CBZC)

Properties

Application range:	VAG
Material1:	special tool steel
Packaging contents:	1
Packaging height, mm:	91
Packaging length, mm:	325
Packaging width, mm:	115
Parts in the set:	7
Weight [g]:	2940

