



V-ribbed belt pulley tool set, 2 pcs

Article No.: 150.3270
EAN: 4042146960301
Promotional price: €15.00 *

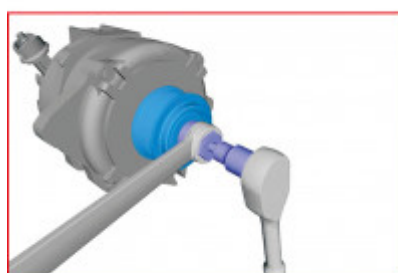
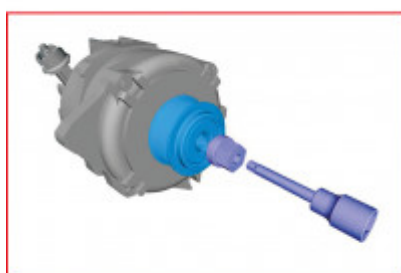
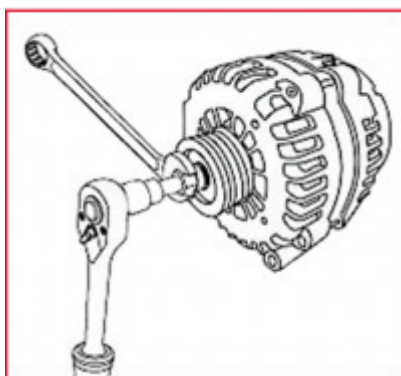
Description

- for the assembly and disassembly of free-running belt discs when changing alternator or the belt disc
- the alternator is locked in place with the Torx bit socket
- the screw connection is actuated via the 17 mm hexagon adapter
- also for checking screws
- allows for the releasing and securing of the central nut at the same time as counter holding the belt disc shaft
- internal square drive to DIN 3120 / ISO 1174 with ball reception



Application range / for: Ford diesel engines 2.0L EcoBlue, 2.0L Duratorq TDCi (DW10F)

Properties

Drive in inch:	1/2"
External hexagon drive in mm:	24.0
Material1:	finest chrome vanadium steel
Norm:	DIN 3120, ISO 1174
Packaging contents:	1
Packaging height, mm:	35
Packaging length, mm:	175
Packaging width, mm:	70
Parts in the set:	2
Profile size in Torx:	T50
Profile size in mm, Hexagon socket:	17
Video link content:	Video
Weight [g]:	200
profile 3:	TORX®



Consists of

Article No.	Quantity		Article	RRP: (ex. VAT)
150.3271	1 x		Hexagon socket adapter, 17 x 24 mm	Info: Article cannot be ordered
150.3272	1 x		1/2" bit socket for Torx screws T50	Info: Article cannot be ordered